



## General Description

The EC520 Electronic Controller is a rugged platform purpose built for easy integration of machine control and guidance in the factory or aftermarket. It is compact and simple enough to integrate entry level machine control and guidance straight out of the factory with the factory display, but powerful enough to provide a seamless upgrade path to full 3D grade control applications and graphical displays through factory or aftermarket channels.

## Key Features & Benefits

- High performance Real-time Linux control platform for Trimble Grade Control Server
- Options available for CAN, Ethernet or Wi-Fi display interfaces to match the UI experience with the desired application level - 1D, 2D or 3D
- Integrated Inertial Measurement Unit (IMU) body sensor with 6 degrees of freedom
- Optional integrated Wi-Fi 802.11b/g/n 2.4 GHz for on machine wireless connectivity to Displays, Laptops, Hot Spots or Mobile devices
- Optional 5dbi antenna for 300m (980ft) range connections to Wi-Fi local base or other machines
- 3 CAN ports for Machine CAN, HMI devices and grade control sensor connectivity
- 2 Ethernet ports for displays and radios
- 1 RS232 port for guidance light-bars and 3rd party radios
- Grade control subsystem power management
- Reliable and rugged for direct chassis mounting

## Physical Characteristics

### Size

<b>Length:</b>	200mm
<b>Width:</b>	130mm
<b>Depth:</b>	58mm
<b>Weight:</b>	1.05kg
<b>Mounting:</b>	Rigid chassis mount with one axis aligned to direction of travel 4 x M8 mounting holes on 182 x 120mm hole centres

## Environmental Characteristics

### Temperature

<b>Operating:</b>	-40°C to +70°C
<b>Storage:</b>	-40°C to +85 °C
<b>Humidity:</b>	90% Relative Humidity
<b>Sealing:</b>	Fully Sealed to 5 PSI / IP67
<b>Vibration:</b>	15Grms
<b>Shock:</b>	40G 10ms Operating 75G 6ms Surviving

## Compliance

RoHS, CE and RCM Compliant

## Technical Specifications

<b>Electrical Input Voltage:</b>	9 V - 32 V
<b>Supply Power:</b>	20W (typical)
<b>Computing platform:</b>	1GHz CPU, 512MB DDR3 RAM, 4GB non-volatile NAND Flash Memory
<b>IMU:</b>	3 axis high accuracy inclination 3 axis of shock and vibrate tolerant gyro
<b>I/O:</b>	2 x 10Mbps 4 wire Ethernet 3 x CAN 1 x RS232 1 x Switch to ground output 1 x Key switch input
<b>Radiated Immunity:</b>	ISO 11452-1, -2 and -5
<b>Bulk Current Injection:</b>	ISO 11452-4, SAEJ1113-4
<b>Power Line Transients:</b>	ISO7637-1 and -2
<b>ESD</b>	ISO10650, ISO10605, EN61000-4-2
<b>Conducted and Radiated Emissions:</b>	CISPR 25, ISO 13766

## Primary I/O Connector Styles

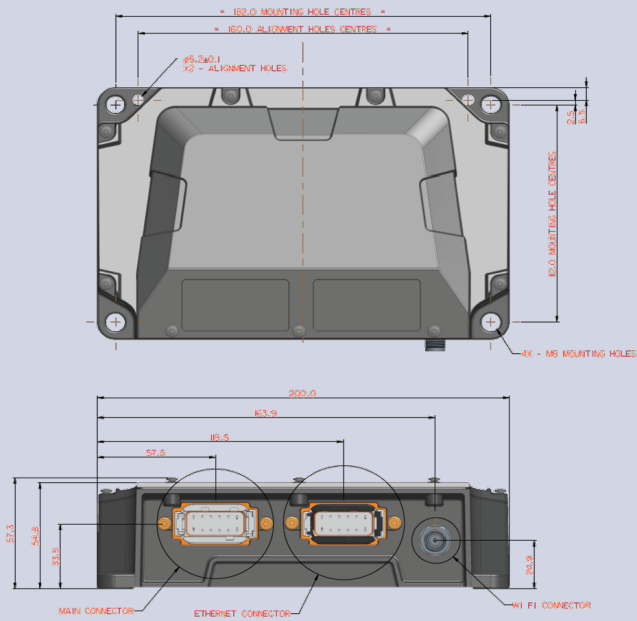
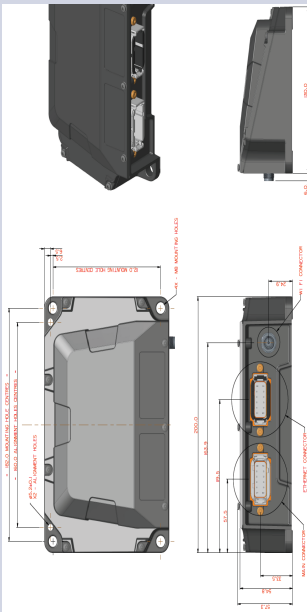
### 12 Pin Main I/O Connector (DTM06-12SA)

- 1 - BATT+
- 2 - BATT -
- 3 - RS232 -1 TXD
- 4 - RS232 -1 RXD
- 5 - CAN 1 HI
- 6 - CAN 1 LO
- 7 - CAN 2 LO
- 8 - CAN 2 HI
- 9 - CAN 3 LO
- 10 - CAN 3 HI
- 11 - IGNITION SWITCH INPUT
- 12 - SWITCH to GROUND OUTPUT

### 12 Pin Ethernet I/O Connector (DTM06-12SB)

- 1 - ETHERNET 1 RX-
- 2 - ETHERNET 1 RX+
- 3 -
- 4 -
- 5 - ETHERNET 2 TX-
- 6 - ETHERNET 2 TX+
- 7 - ETHERNET 2 RX+
- 8 - ETHERNET 2 RX-
- 9 -
- 10 -
- 11 - ETHERNET 1 TX+

## Dimensions (mm)



Specifications subject to change without notice.

© 2017, Trimble Inc. All rights reserved. Trimble and the Globe & Triangle logo are trademarks of Trimble Inc, registered in the United States and in other countries. All other trademarks are the property of their respective owners.

## Trimble Inc.

10368 Westmoor Drive  
Westminster, CO 80021  
USA

[www.trimble.com](http://www.trimble.com)