



TRIMBLE EARTHWORKS GO!

2D GRADE CONTROL SYSTEM FOR COMPACT GRADING ATTACHMENTS



SETTING THE NEW STANDARD FOR COMPACT MACHINE CONTROL

For contractors and owner operators interested in supercharging their compact grading attachments, the Trimble® Earthworks GO! grade control platform enables high-accuracy grading capability in an easy to use, portable platform.

Unparalleled Portability

Earthworks GO! proprietary Trimble GO! Box technology lets contractors quickly swap the system between machines to take care of the job at hand. Save machines profiles to the GO! Box to ensure you only have to set up your machines once, so you can get back to work.

Proven Performance

Get the results you need, the first time. Eliminate the need for guessing and rework, and get to grade the first time, faster than ever. Operators who leverage machine control increase productivity by 20% on average. Trimble Earthworks GO! makes it easier than ever to see the benefits machine control can bring to your business.



TARGET

CUSTOMERS AND APPLICATIONS

Contractors

- ▶ Drastically improve operator performance and reduce rework
- ▶ Eliminate lengthy setup processes to minimize downtime on the job site

Owner/Operators

- ▶ Get jobs done quickly with a system that has a minimal learning curve
- ▶ Leverage your own smart device as your primary machine interface
- ▶ Grow your business with technology that delivers a proven 20% increase in productivity

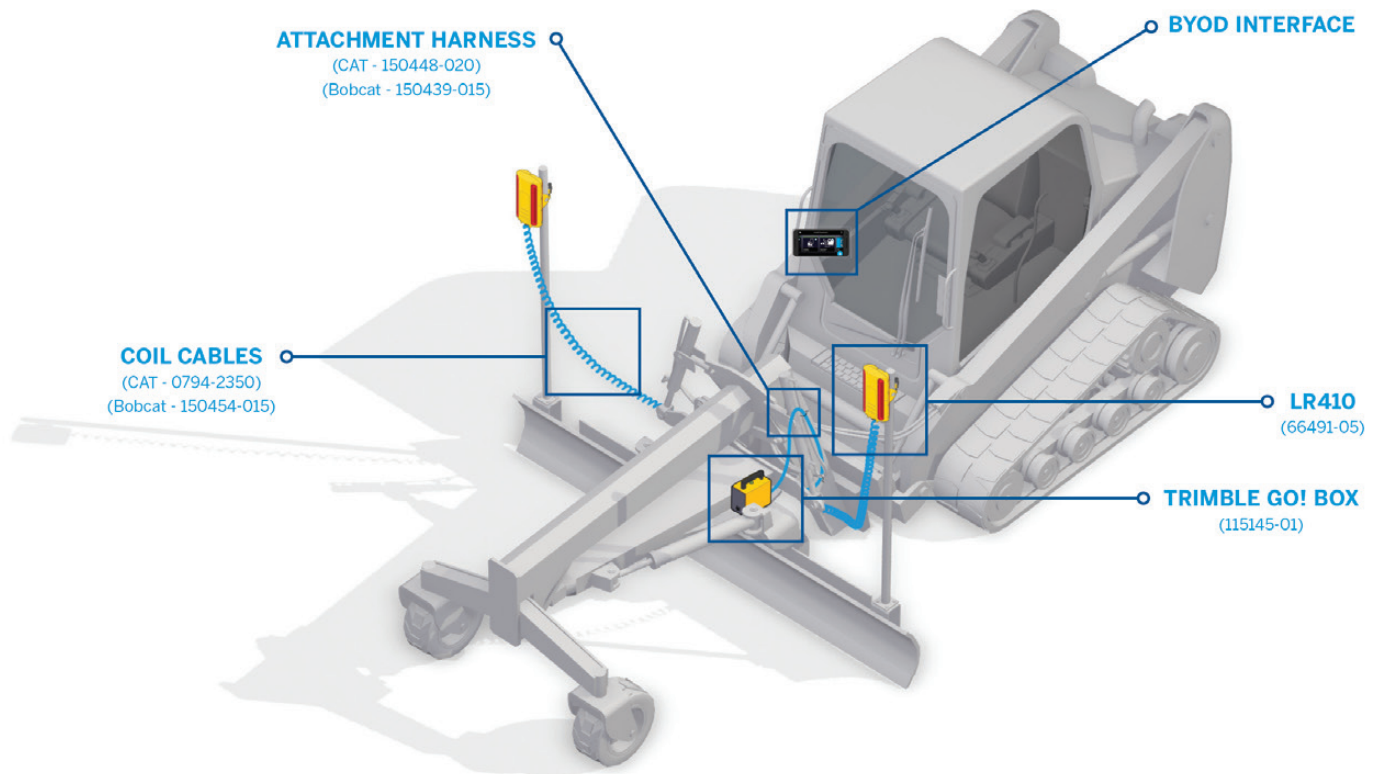


TRIMBLE EARTHWORKS GO!

2D GRADE CONTROL SYSTEM FOR COMPACT GRADING ATTACHMENTS

KEY SYSTEM FEATURES

- ▶ iOS and Android compatibility allows operators to use their smart device as the primary machine interface
- ▶ GO! Box technology enables full sensing technology with no mounting hardware required
- ▶ Simple harnessing solutions ensure a low-profile, easy to maintain solution
- ▶ 2D automatic ready
- ▶ Integrated installation and calibration tutorials that make setup easy
- ▶ Proven laser-guided technology enables high precision grading
- ▶ Multiple system configurations for fine and finished grade applications, – Dual Laser, Single Laser + Slope and Slope only solutions
- ▶ Save machine profiles to enable one-time setup



SITECH™

SITECH NorCal
 833 Montague Ave.
 San Leandro, CA 94577
www.SITECHnorcal.com

888-4-A-LASER

SITECH Oregon
 21505 Bents Court NE
 Aurora, OR 97002
www.SITEChoregon.com

TRIMBLE CIVIL ENGINEERING AND CONSTRUCTION
 10368 Westmoor Drive
 Westminster CO 80021 USA
 800-361-1249 (Toll Free)
 +1-937-245-5154 Phone
construction_news@trimble.com

© 2018, Trimble Inc. All rights reserved. Trimble, the Globe & Triangle logo, Connected Site, and SITECH are trademarks of Trimble Inc., registered in the United States and in other countries. All other trademarks are the property of their respective owners. PN 022482-4036 (10/18)